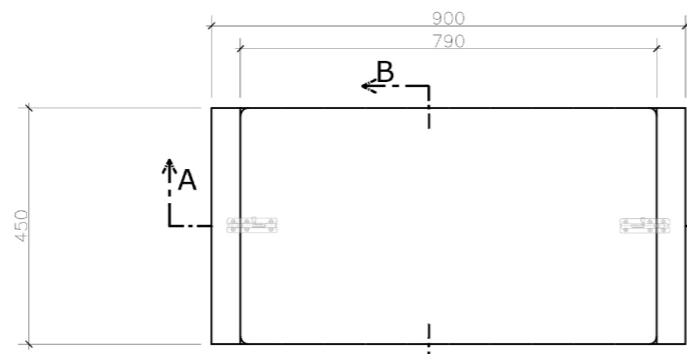
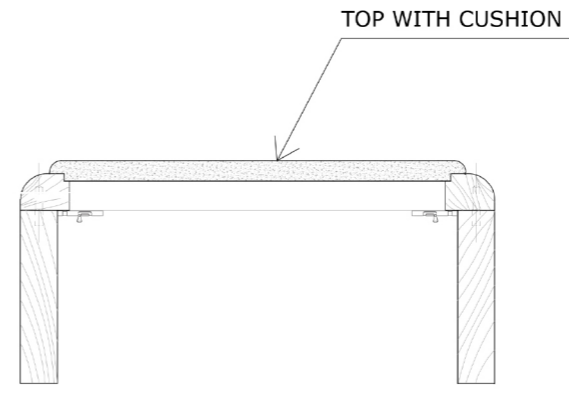


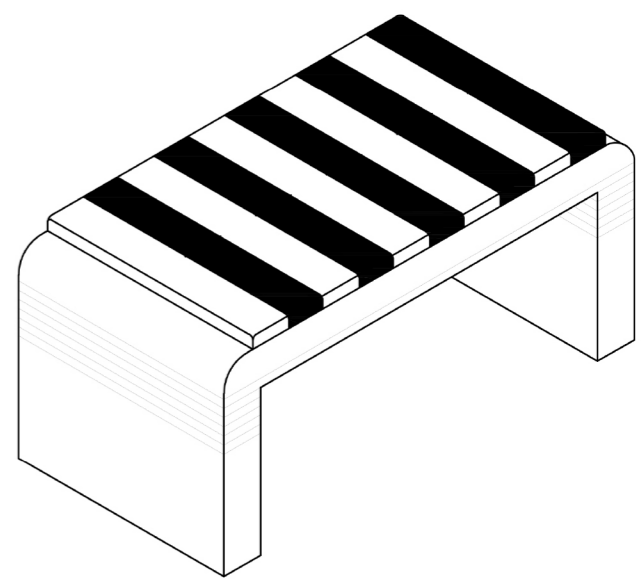
TOP VIEW
Scale 1:10



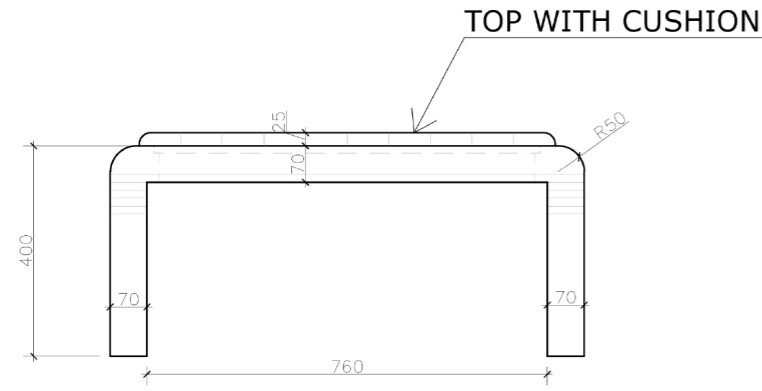
BOTTOM VIEW
Scale 1:10



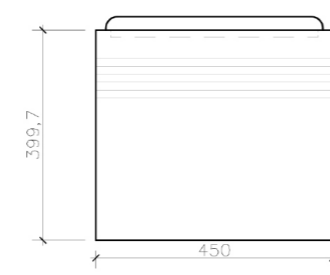
SECTION A-A
Scale 1:10



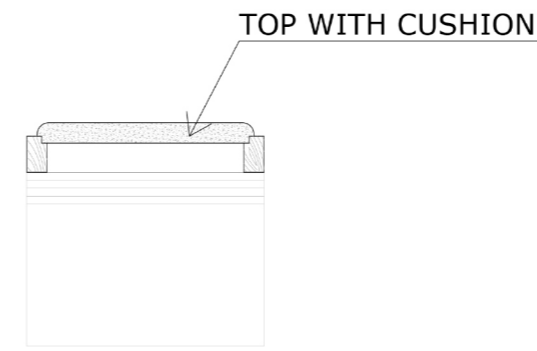
ISOMETRIC PROJECTION
Scale 1:10



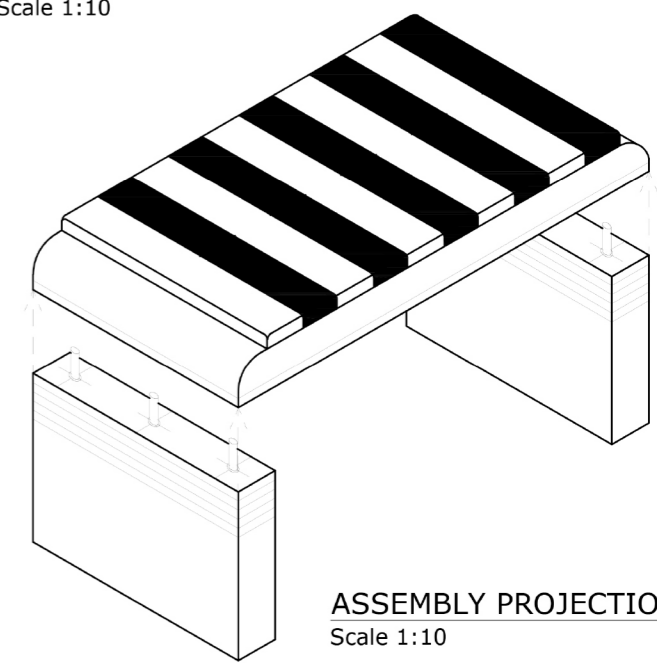
FRONT VIEW
Scale 1:10



SIDE VIEW
Scale 1:10



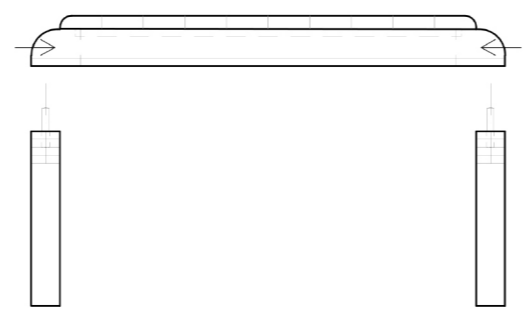
SECTION B-B
Scale 1:10



ASSEMBLY PROJECTION
Scale 1:10



DOWN VIEW
Scale 1:10



ASSEMBLY VIEW
Scale 1:10

Note:
Figured dimensions only are to be taken from this drawing.
Contractors are not to scale from the drawing.
All dimensions shall be checked on site by contractor.
Drawings are for planning illustrative purposes only.
revisions

FORMAT	DRAWING NUMBER
A2	STY-0516
DRAWING TITLE	
STOOL VIEWS VERSION 2	
DRAWN	
JOHN TEALL	
PROJECT TITLE	
INTERIOR DESIGN	
SCALE	DATE
1/10	26-05-2016

John Teall 

PROJECT **MAID MARIAN II YACHT**